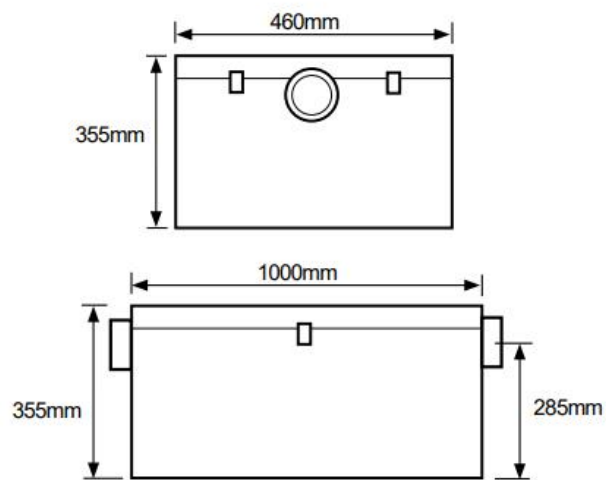


BIO-HYDROMECHANICAL INTERCEPTOR AG2.5



Flow Rate Ltrs/min	Fat Retention Ltrs	Capacity Ltrs	Inlet	Outlet
143	120	131.1	50mm	50mm



AG2.5 – Designed for insertion in most commercial kitchen locations

Requires cleaning wrota to suit sinks selected

Would benefit if sink is fitted with Sink Guard filter

Not fitted with filter basket as this aids cleaning & H&S protection

Clips that fasten lid must be accessible

Bio-Dosing can be with DN6 Pump / Devastator

Standard inlet/outlet 50mm fit reducer for 40mm connection [Recommended]

## Contacts

E-mail: [enquiry@alulinegroup.com](mailto:enquiry@alulinegroup.com)

Website: [Welcome To Aluline Ltd : Aluline Ltd \(alulinegms.com\)](http://Welcome To Aluline Ltd : Aluline Ltd (alulinegms.com))

Num: 0044(0)1928563532



This is copyright & design protected